

For Blue-High Power LED Lamp

A-HR511B-SA-1W

Features

- Soldering method: SMT
- Small package with high efficiency
- High reliability and a broad range of colors and packages.
- Pb free.
- Remain within RoHS compliant version.

DESCRIPTION

- These devices are designed from advanced optical grade epoxy, which provide superior high temperature performance and excellent moisture resistance.

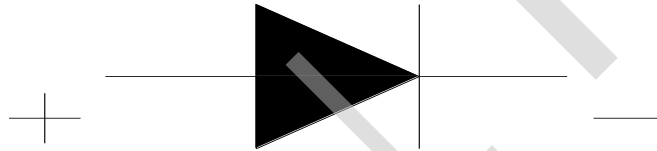
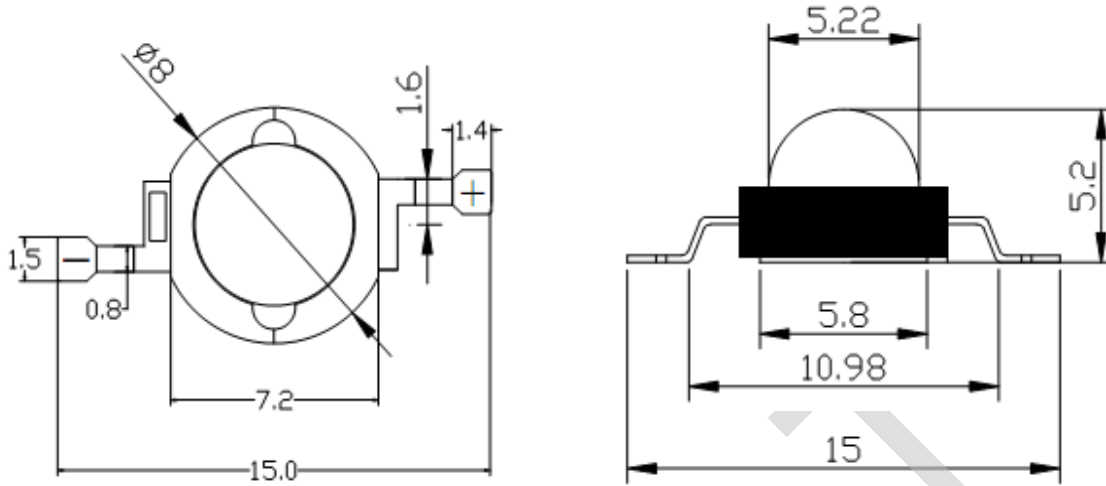
Applications

- General Lighting
- Decorative and Entertainment Lighting
- Signal and Symbol Luminaries for orientation marker lights (e.g. steps, exit ways, etc.)
- Exterior and Interior Automotive Illumination
- Agriculture Lighting

Ordering Information

Part Number	Emission Color	SIZE	Luminous flux typ.(lm)	Drive Current (mA)
A-HR511B-SA-1W	Blue	/	20	350

PACKAGE DIMENSIONS



Notes

1. All dimension units are millimeters.
2. All dimension tolerance is $\pm 0.2\text{mm}$ unless otherwise noted.

ELECTRICAL/OPTICAL CHARACTERISTIC (1)

ABSOLUTE MAXIMUM RATINGS (Ta=25° C)

PARAMETER PER SEGMENT	SYMBOL	MAX	UNIT
Reverse Voltage	V_R	5	V
DC Forward Current	I_F	350	mA
Peak Forward Current (1/10 Duty Cycle)	I_{PEAK}	500	mA
Power Dissipation	P_D	1000	mW
Soldering iron temperature (lead-free)	T_{sol}	260	°C
Soldering time	t	3	SEC.
Operating Temperature Range	T_A	- 40 ~ + 80	°C
Storage Temperature Range	T_{STG}	- 40 ~ + 80	°C
Solder Temperature 1/16 inch below seating plane for 3 seconds MAX 260 °C			

ELECTRICAL-OPTICAL CHARACTERISTICS (Ta=25° C)

PARAMETER	SYMBOL	MIN.	TYP.	MAX.	UNIT	TEST CONDITIONS
Forward Voltage	V_F	3.00	3.30	3.60	v	$I_F=350mA$
Luminous Flux	I_V	-	20	-	lm	
Peak Emission Wavelength	λ_p	460	-	470	nm	
Reverse Current	I_R	-	-	20	uA	$V_R=5v$

ELECTRICAL/OPTICAL CHARACTERISTIC(2)

